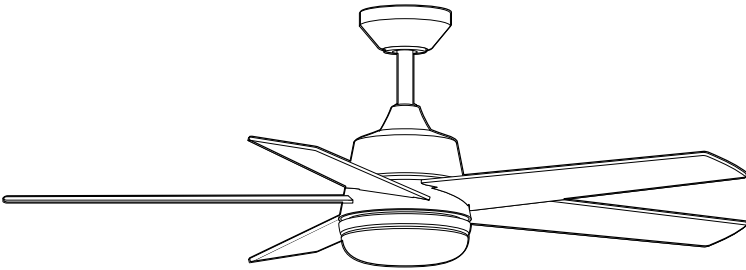


DF] DESIGNERS™
FOUNTAIN



ASTREA SMART FAN

**INDOOR & COVERED OUTDOOR
CEILING FAN
INSTALLATION INSTRUCTIONS**

WARRANTY

WHAT IS COVERED

The manufacturer limitedly warrants the fan motor to be free from defects in workmanship and material present for a ten (10) year period from date of purchase by the original purchaser. The manufacturer warrants the light kit, excluding any glass, to be free from defects in workmanship and material for a period of three (3) years from date of purchase. The manufacturer also warrants that all other fan parts, excluding glass or blades, to be free from defects in workmanship and material for a period of one (1) year. This warranty applies only to the original consumer purchaser and only to products used in normal use and service. If this product is found to be defective, the manufacturer's only obligation, and your exclusive remedy, is the repair or replacement of the product at the manufacturer's discretion, provided that the product has not been damaged through misuse, abuse, accident, modifications, alterations, neglect or mishandling.

WHAT IS NOT COVERED

This limited warranty shall not apply to any product that is found to have been improperly installed, set-up, or used in any way not in accordance with the instructions supplied with the product. This warranty shall not apply to a failure of the product as a result of an accident, misuse, abuse, negligence, alteration, or faulty installation, or any other failure not relating to faulty material or workmanship. This warranty shall not apply to the finish on any portion of the product, such as surface and/or weathering, as this is considered normal wear and tear.

The manufacturer does not warrant and specially disclaims any warranty, whether expressed or implied, of fitness for a particular purpose, other than the warranty contained herein. The manufacturer specifically disclaims any liability and shall not be liable for any consequential or incidental loss or damage, including but not limited to any labor/expense costs involved in the replacement or repair of said product.

This warranty does not cover any labor costs or fees associated with the labor (including electrician's fees) required to install, remove, or replace a fan or any fan parts.

Contact the customer service team at please contact our customer service team at 1-800-228-6197.

SAFETY INFORMATION

WARNING: Disconnect the power prior to removing or installing the ceiling fan.

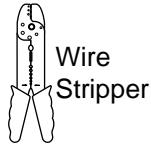
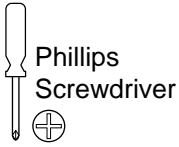
WARNING: To reduce risk of electric shock, this fan must be installed with an isolating wall control/switch.

WARNING: To reduce the risk of personal injury, do not bend the blade arms when installing the brackets, balancing the blades or cleaning the fan.

WARNING: Do not insert foreign objects between rotating fan blades.

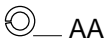
- To reduce risk of electric shock, ensure electricity has been turned off at the circuit breaker or fuse box before beginning.
- All wiring must be in accordance with the National Electrical Code and local electrical codes. Electrical installation should be performed by a qualified licensed electrician.
- The outlet box and support structure must be securely mounted and capable of reliably supporting a minimum of 35 lb (15.9 kg). Use only UL Listed outlet boxes marked "FOR FAN SUPPORT."
- The fan must be mounted with a minimum of 7 ft. (2.1 m) clearance from the trailing edge of the blades to the floor.
- Avoid placing objects in the path of the blades.
- To avoid personal injury or damage to the fan and other items, be cautious when working around or cleaning the fan.
- All set screws must be checked and retightened where necessary before installation.

TOOLS REQUIRED



HARDWARE INCLUDED

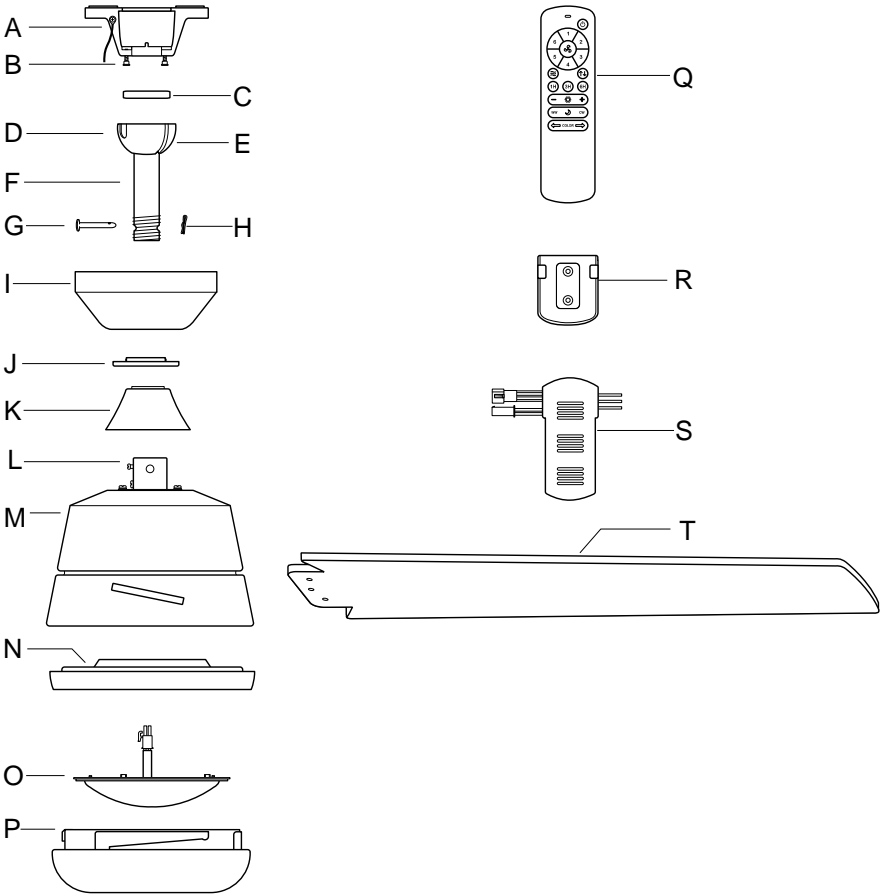
NOTE: Hardware is not shown to actual size.



Part	Description	Qty
AA	Lock Washer	2
BB	Flat Washer	2
CC	Blade Washer	16
DD	Blade Screws	16
EE	Wire Nut	3
FF	Mounting Screw (#8-32)	2
GG	Mounting Screw (#10-32)	2
HH	Plate Screw*	3
II	Light Kit Screw*	3

* The plate screws and light kit screws are pre-mounted to the motor and plate.

CONTENTS



Part	Description	Qty	Part	Description	Qty
A	Mounting Bracket	1	K	Motor Cover	1
B	Canopy Screw	2	L	Motor Set Screw	2
C	Straight Pin	1	M	Motor	1
D	Ball Set Screw	2	N	Plate	1
E	Hanger Ball	1	O	Light Kit	1
F	Rod	1	P	Shade	1
G	Clevis Pin	1	Q	Remote Control	1
H	Cotter Pin	1	R	Remote Holder	1
I	Canopy	1	S	Receiver	1
J	Canopy Cover	1	T	Blade	5

MOUNTING OPTIONS

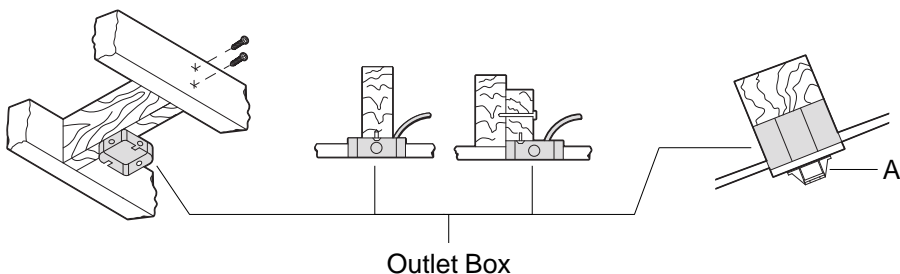
WARNING: To reduce the risk of fire, electric shock, or personal injury, mount the fan to an outlet box marked acceptable for fan support using the screws provided with the outlet box. An outlet commonly used for the support of lighting fixtures may not be suitable for fan support and may need to be replaced. If in doubt, consult a qualified electrician.

NOTE: You may need a longer rod to maintain proper blade clearance when installing on a steep, sloped ceiling. The maximum angle allowable is 13° away from horizontal. If the canopy (I) touches the hanger ball (E) rod (F), remove the decorative canopy cover (J) and turn the canopy (I) 180° before attaching the canopy (I) to the mounting bracket (A).

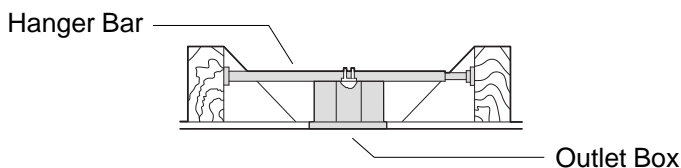
If your ceiling fan does not have an existing UL Listed mounting box, then install one using the following instructions:

- Disconnect the power by removing the fuse or turning off the circuit breaker.
- Secure the outlet box (not included) directly to the building structure. Use appropriate fasteners and materials (not included). The outlet box and its bracing must be able to fully support the weight of the moving fan (at least 35 lb). Do not use a plastic outlet box.

The illustrations below show three different ways to mount the outlet box (not included).



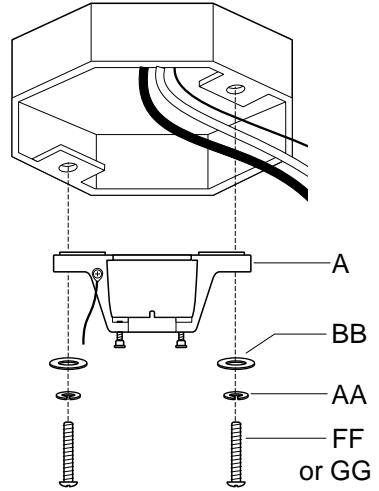
To hang your fan where there is an existing fixture but no ceiling joist, you may need an installation hanger bar (not included) as shown below.



INSTALLATION

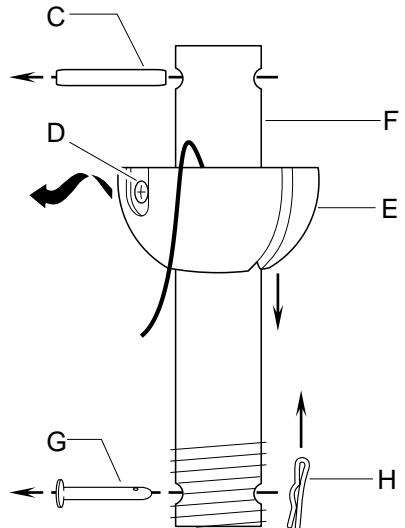
1 ATTACH THE MOUNTING BRACKET

- Thread a lock washer (AA) followed by a flat washer (BB) onto a mounting screw (FF or GG) onto a mounting screw (FF or GG).
- Secure the mounting bracket (A) onto the outlet box using the mounting screws (FF or GG) and tighten the mounting screws (FF or GG).



2 PREPARE THE HANGER BALL AND ROD

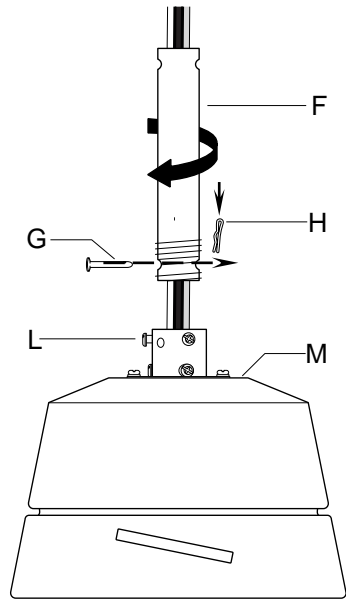
- Remove the cotter pin (H) and clevis pin (G) from the rod (F).
- Loosen the ball set screw (D) from the hanger ball (E).
- Pull the hanger ball (E) down and remove the straight pin (C) from the rod (F).
- Remove the hanger ball (E).



INSTALLATION (CONTINUED)

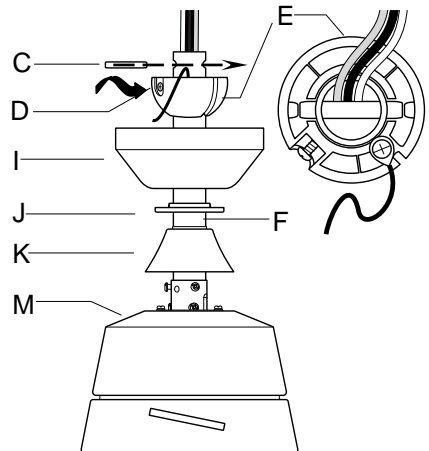
3 ASSEMBLE THE MOTOR AND ROD

- Loosen the motor set screws (L) on the top of the motor (M).
- Pull the wires from the motor (M) through the center of the rod (F).
- Twist the rod (F) onto the motor (M) until it is tight, and then unscrew the rod (F) slightly until the holes in the rod (F) and the holes on the motor (M) align.
- Insert the clevis pin (G) through the holes the motor (M) and rod (F), and then secure it with the cotter pin (H).
- Tighten the motor set screws (L).



4 ASSEMBLE THE TOP

- Thread the wires through the motor cover (K), the canopy cover (J), the canopy (I), and hanger ball (E).
- Push the motor cover (K) down the rod (F) to cover the screws on the motor (M).
- Insert the straight pin (C) into the top of the rod (F), and push the hanger ball (E) up so it locks with the straight pin (C).
- Tighten the ball set screw (D) on the hanger ball (E).



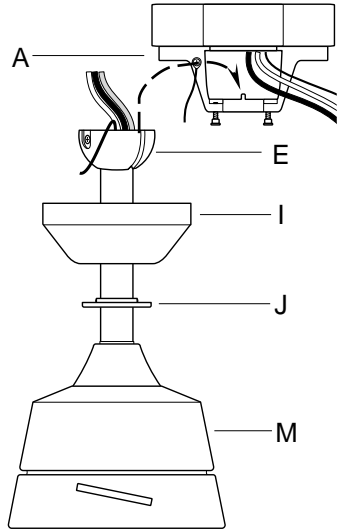
INSTALLATION (CONTINUED)

5 MOUNT THE MOTOR

- Lift the hanger ball (E) up and through the mounting bracket (A) opening, and allow the hanger ball (E) to sit in the bottom of the mounting bracket (A).

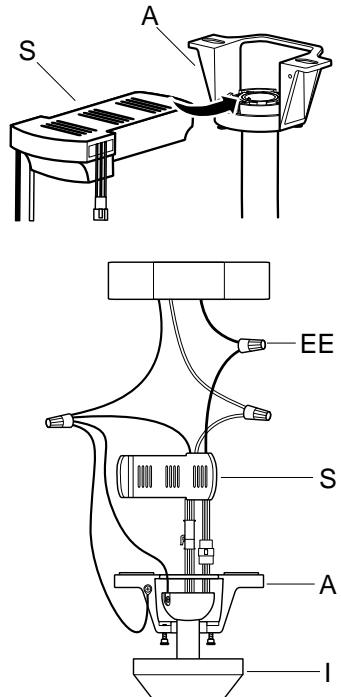
NOTE: The mounting bracket (A) has a guide near the bottom that aligns with the groove in the hanger ball (E).

- Make sure the hanger ball (E) locks in place with the guide on the mounting bracket (A).



6 CONNECT THE WIRES

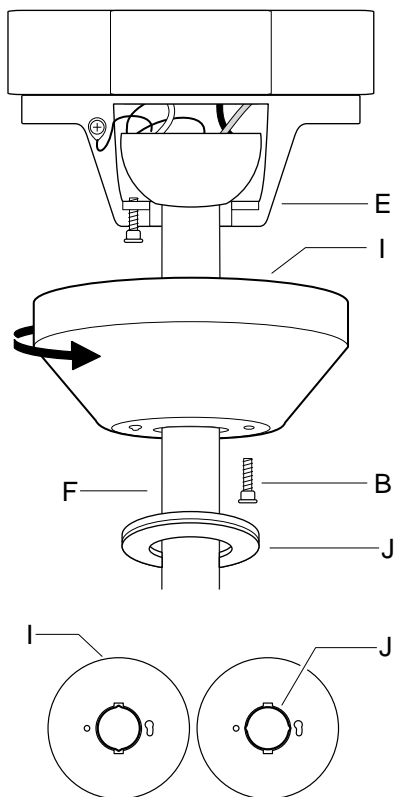
- Ensure the bump in the rear of the mounting bracket (A) is aligned with the hanger ball (E) notch.
- Insert the receiver (S) into the mounting bracket (A).
- Connect the ground supply wire to the ground mounting bracket (A) wire, ground receiver (S) wire and ground wire on the hanger ball (E) using a wire nut (EE).
- Connect the white supply wire to the white receiver (S) wire using a wire nut (EE). Connect the black supply wire to the black receiver (S) wire using a wire nut (EE).
- Connect the male and female quick connectors together.
- Secure each join with electrical tape. Tuck the wire connections into the outlet box.



INSTALLATION (CONTINUED)

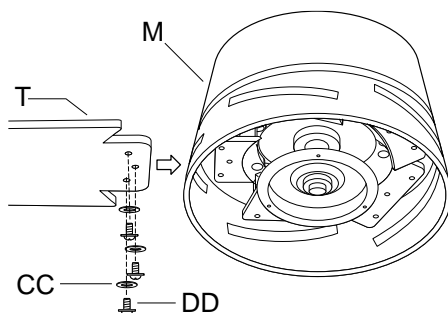
7 SECURE THE CANOPY

- Remove one of the canopy screws (B) from the mounting bracket (A).
- Align the canopy screw (B) with the wide part of the keyhole slot in the canopy (I).
- Rotate the canopy (I) until the canopy screw (B) is at the narrow end of the keyhole slot.
- Thread the other canopy screw (B) through the hole.
- Tighten the canopy screws (B) until the canopy (I) is secure.
- Align the canopy cover (J) projections with the cutouts on the canopy (I) and rotate it a quarter turn to secure the canopy cover (J) in place.



8 MOUNT THE BLADES

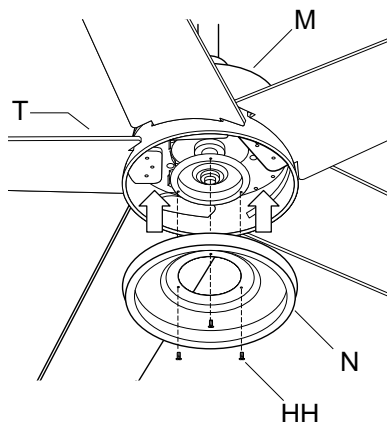
- Affix each blade (T) to the motor (M) using a blade washer (CC) and a blade screw (DD).



INSTALLATION (CONTINUED)

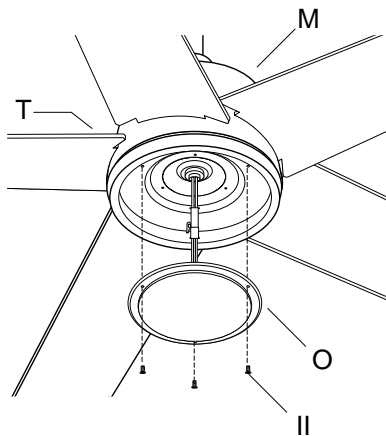
9 SECURE THE PLATE

- Remove the three plate screws (HH) from the center of the motor (M).
- Align the holes on the plate (N) with the holes on the motor (M).
- Use the previously removed plate screws (HH) to secure the plate (N) to the motor (M).



10 SECURE THE LIGHT KIT

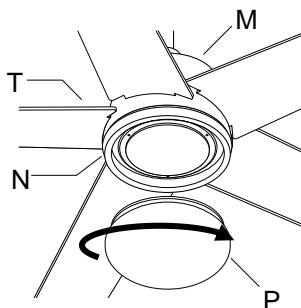
- Remove the three light kit screws (II) from the light kit (O).
- Connect the quick connector from the motor (M) to the quick connector on the light kit (O).
- Align the holes on the light kit (O) with the holes on the plate (N).
- Use the previously removed light kit screws (II) to secure the light kit (O) to the plate (N).




INSTALLATION (CONTINUED)

11 SECURE THE SHADE

- Align the shade (P) with the plate (N) and twist the shade (P) until it locks in place.

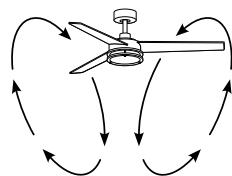


OPERATION

- Press the  button on the remote control to change the direction of the fan.

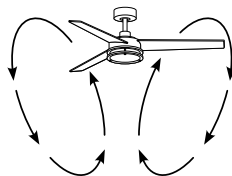
SUMMER MODE (FORWARD)

- A downward airflow creates a cooling effect.



WINTER MODE (REVERSE)

- An upward airflow moves warmer air off of the ceiling area.



OPERATION – APP DOWNLOAD

BEFORE YOU START

- Download the Smart Life app from the App Store or Google Play.
- Make sure to set your phone/tablet to a 2.4G Wi-Fi network.
- Make sure Smart Life app and fixture are within the same Wi-Fi network.
- Make sure Smart Life app has location access permission of Wi-Fi network.
- Please make sure that the phone/tablet has a strong signal.







OPERATION – VOICE COMMANDS

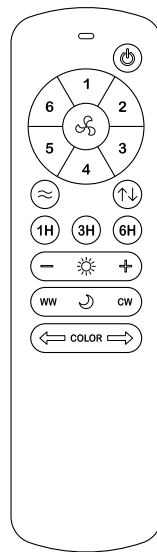
NOTE: Please visit designersfountain.com/instruction-manuals/ for app setup instructions. You will need to name your device prior to using the voice commands.

NOTE: The voice commands for work with Alexa and Google. Depending on the device you use, you need to begin a command with either Alexa or Ok Google. For example, “Alexa, turn on ASTREA” or “Ok Google, turn on ASTREA.” Remember, that the device name needs to be set within the app.

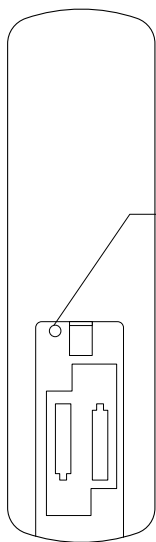
	Alexa...	Ok Google...
Fan Power	turn on <device name>	
	turn off <device name>	
Fan Speed	set/change the <device name> speed to #.	
	set /change the speed on the <device name> to (1-6)	
	set/change <device name> to fast	
	set/change <device name> to medium	
Fan Direction	set/change <device name> to slow	
	change <device name> to downward	
Light Power	change <device name> to upward	
	turn on <device name>	
Light CCT change	turn off <device name>	
	set/change <device name> to warm white	
	set/change <device name> to soft white	
	set/change <device name> to daylight	
	set/change <device name> to cool white	
Light Color change	set/change <device name> to bright white	
	set/change <device name> to green	
	set/change <device name> to red	
	set/change <device name> to blue	
	set/change <device name> to orange	
Light Brightness	set/change <device name> to yellow	
	set/change the <device name> brightness to #%.	
	set/change the <device name> to #% brightness .	
	brighten the <device name>.	
	dim the <device name>.	

OPERATION – REMOTE CONTROL

Icon	Function
	Power ON/OFF: Press and release the power button to turn the fan and light on or off
	Press and release the button to turn the fan off
1	Press and release the button to turn the fan on low speed
6	Press and release the button to turn the fan high speed
≈	Press and release the button, the fan automatically switches between medium speed and low speed. Press the other wind buttons to exit the function
1H 3H 6H	Press and release the button, the fan will enter the timer function, press other buttons to exit the function
↑↓	Change the direction the fan spins.
	Light ON/OFF Press and release the button to turn the light on or off
	***Power off the device, and then turn it on again. Within 10 sec, press and hold the light button for 5 sec, the light will flash for 18 sec and enter the APP pairing mode for 180 sec. During this time, the remote control has no way to control the fan and light; over 180 sec or successful pairing, the remote control will work properly.
–	Turn down the brightness
+	Turn up the brightness
	Press and release the button to turn the light in night light mode
WW	Click or long press to turn down the CCT, the minimum is 2200K
CW	Click or long press to turn up the CCT, the maximum is 6500K
↩ ↪	Use the left/right buttons to scroll through the scenes, such as Christmas, Halloween, Independence Day, etc.
COLOR	Click the COLOR button, the light can enter the red, orange, yellow, green, blue, purple, Warm light, Daylight, Cool light



OPERATION – REMOTE CONTROL (CONTINUED)



Connecting the fan and remote control
Click the learning button for 1s within
10s of power on, the buzzer will sound
once and the light will flash twice.

Note: If the remote control and the fan
have been bound together, long
press the learning button 3s
within 10s of power on is to
unbind. Before using, you need to
do the binding operation again.

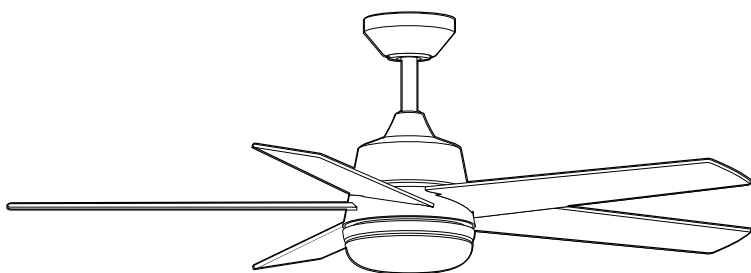
CARE AND CLEANING

- Check the support connections, brackets, and blade attachments twice a year. Ensure they are secure. Some connections may become loose over time because of the fan's natural movement. It is not necessary to remove the fan from the ceiling.
- Clean your fan periodically. Use only a soft brush or lint-free cloth to avoid scratching the finish. The plating is sealed with a lacquer to minimize discoloration or tarnishing.
- Do not use water when cleaning. Water could damage the motor, or the wood, or possibly cause an electrical shock.
- Do not apply oil to your fan or motor. The motor has permanently-lubricated sealed ball bearings.

TROUBLESHOOTING

Problem	Solution
The fan will not start	<ul style="list-style-type: none"><input type="checkbox"/> Check the breaker or the fuses.<input type="checkbox"/> Check the line wire connections to the fan and switch wire connections in the housing.
The fan sounds noisy	<ul style="list-style-type: none"><input type="checkbox"/> Make sure all motor housing screws are snug.<input type="checkbox"/> Make sure the screws that attach the fan blade to the motor are tight.<input type="checkbox"/> Make sure the wire nut connections are not rattling against each other or the interior wall of the switch housing.<input type="checkbox"/> Allow a 24-hour “breaking in” period. Most noises associated with a new fan disappear during this time.<input type="checkbox"/> If using the ceiling light kit, make sure the glass shade is secured tightly.<input type="checkbox"/> Make sure there is a short distance from the ceiling to the canopy. It should not touch the ceiling.<input type="checkbox"/> Make sure your ceiling box is secure and that rubber isolator pads are used between the mounting bracket and outlet box.
The fan wobbles	<ul style="list-style-type: none"><input type="checkbox"/> Verify that all blades and blade arm screws are secure (most fan wobble problems are caused by loose parts.) Once the fan is properly installed, run the ceiling fan for 10 minutes to let the fan self-adjust.
APP pairing failure	<ul style="list-style-type: none"><input type="checkbox"/> Verify your network, this device requires a 2.4 GHz Wi-Fi channel.
Remote control does not work	<ul style="list-style-type: none"><input type="checkbox"/> Make sure the remote control and the fan have been bound together.<input type="checkbox"/> Make sure the fan is not in pairing mode, during the pairing process, the remote control has no way to control the fan, only after successful pairing, or more than 180S The remote control can work normally

DF] DESIGNERS™
FOUNTAIN



ASTREA

VENTILADOR INTELIGENTE

**VENTILADOR PARA
INTERIOR Q EXTERIOR CUBIERTO
INSTRUCCIONES DE INSTALACIÓN**

GARANTÍA

LO QUÉ ESTÁ CUBIERTO

El fabricante garantiza limitadamente que el motor del ventilador está libre de defectos de mano de obra y materiales presentes durante un período de diez (10) años a partir de la fecha de compra por parte del comprador original. El fabricante garantiza que el juego de iluminación, excluyendo cualquier vidrio, estará libre de defectos de mano de obra y material por un período de tres (3) años a partir de la fecha de compra. El fabricante también garantiza que todas las demás piezas del ventilador, excluyendo el vidrio o las aspas, estarán libres de defectos de mano de obra y material durante un período de un (1) año. Esta garantía se aplica únicamente al consumidor original y únicamente a los productos utilizados en condiciones de uso y servicio normales. Si se descubre que este producto es defectuoso, la única obligación del fabricante, y su exclusivo recurso, es la reparación o reemplazo del producto a discreción del fabricante, siempre que el producto no haya sido dañado por mal uso, abuso, accidente, modificaciones, alteraciones, negligencia o mal manejo.

LO QUE NO ESTÁ CUBIERTO

Esta garantía limitada no se aplicará a ningún producto que se haya instalado, configurado o utilizado incorrectamente de cualquier manera que no esté de acuerdo con las instrucciones suministradas con el producto. Esta garantía no se aplicará a una falla del producto como resultado de un accidente, mal uso, abuso, negligencia, alteración o instalación defectuosa, o cualquier otra falla que no esté relacionada con materiales o mano de obra defectuosos. Esta garantía no se aplicará al acabado de ninguna parte del producto, como la superficie y/o la intemperie, ya que esto se considera desgaste normal.

El fabricante no garantiza y rechaza especialmente cualquier garantía, ya sea expresa o implícita, de idoneidad para un propósito particular, que no sea la garantía contenida en este documento. El fabricante renuncia específicamente a cualquier responsabilidad y no será responsable de ninguna pérdida o daño consecuente o incidental, incluidos, entre otros, los costos de mano de obra/gastos involucrados en el reemplazo o reparación de dicho producto.

Esta garantía no cubre ningún costo de mano de obra ni honorarios asociados con la mano de obra (incluidos los honorarios del electricista) necesarios para instalar, retirar o reemplazar un ventilador o cualquiera de sus piezas.

Comuníquese con el equipo de servicio al cliente en comuníquese con nuestro equipo de servicio al cliente al 1-800-228-6197.

INFORMACIÓN DE SEGURIDAD

ADVERTENCIA: Desconecte la energía antes de quitar o instalar el ventilador de techo.

ADVERTENCIA: Para reducir el riesgo de descarga eléctrica, este ventilador debe instalarse con un control/interruptor de pared aislante.

ADVERTENCIA: Para reducir el riesgo de lesiones personales, no doble los brazos de las aspas al instalar los soportes, equilibrar las aspas o limpiar el ventilador.

ADVERTENCIA: No inserte objetos extraños entre las aspas del ventilador en rotación.

- Para reducir el riesgo de descarga eléctrica, asegúrese de que la electricidad esté apagada en el disyuntor o en la caja de fusibles antes de comenzar.
- Todo el cableado debe estar de acuerdo con el Código Eléctrico Nacional (N.E.C.) y los códigos eléctricos locales. La instalación eléctrica debe ser realizada por un electricista autorizado y calificado.
- La caja eléctrica y la estructura de soporte deben estar montadas de forma segura y ser capaces de soportar de manera confiable un mínimo de 35 lb (15.9 kg). Utilice únicamente cajas de salida certificadas por UL marcadas "FOR FAN SUPPORT".
- El ventilador debe montarse con un espacio libre mínimo de 2.1 m (7 pies) desde el borde posterior de las aspas hasta el suelo.
- Evite colocar objetos en el camino de las cuchillas.
- Para evitar lesiones personales o daños al ventilador y otros elementos, tenga cuidado al trabajar o limpiar el ventilador.
- Todos los tornillos de fijación deben revisarse y reapretarse cuando sea necesario antes de la instalación.

HERRAMIENTAS NECESARIAS



Desarmador
de Cruz



Pela-
cables



Escalera



Cinta
Eléctrica



Gafas
Protectoras

FERRETERÍA INCLUIDA

NOTA: La ferretería no se muestra en tamaño real.



AA



BB



CC



DD



EE



FF



GG



HH

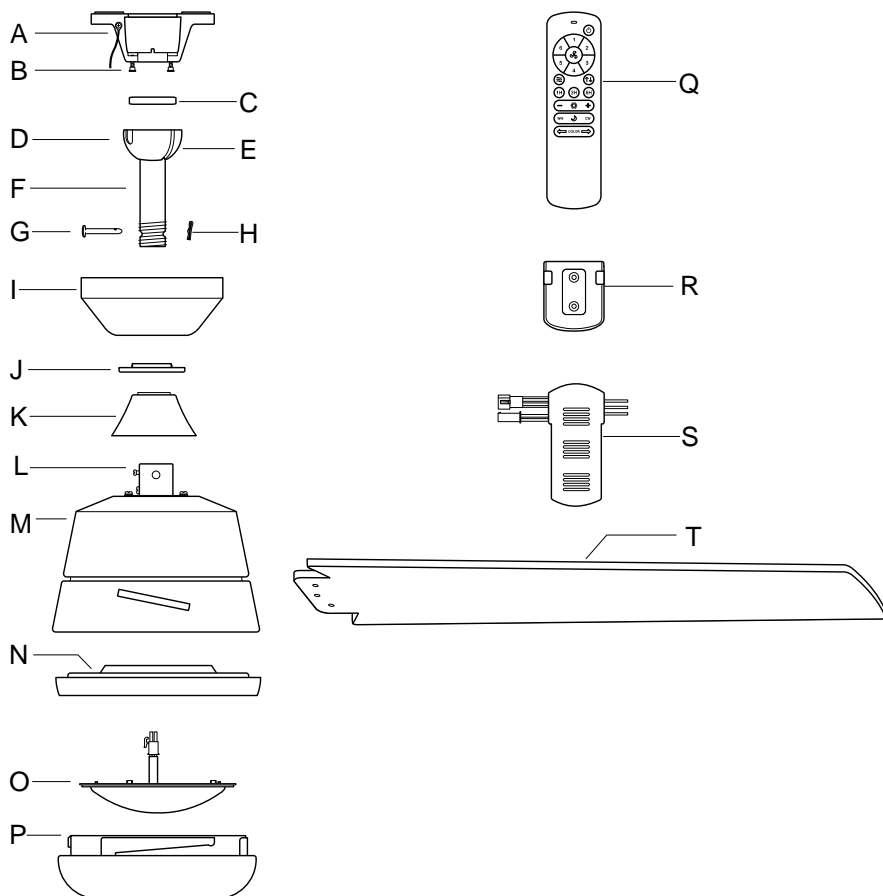


II

Parte	Descripción	Cantidad
AA	Arandela de Seguridad	2
BB	Arandela Plana	2
CC	Arandela de Aspa	16
DD	Tornillo de Aspa	16
EE	Tureca para Cables	3
FF	Tornillo de Montaje (#8-32)	2
GG	Tornillo de Montaje (#10-32)	2
HH	Tornillo para el Plato*	3
II	Tornillo para el Juego de Luz*	3

* Los tornillos de la placa y los tornillos del kit de luces están premontados en el motor y la placa.

CONTENIDO



Parte	Descripción	Cant.	Parte	Descripción	Cant.
A	Soporte de Montaje	1	K	Tapa del Motor	1
B	Tornillo de la Cubierta	2	L	Tornillo del Motor	2
C	Clavo Recto	1	M	Motor	1
D	Tornillo de la Bola	2	N	Plato	1
E	Bola Colgante	1	O	Juego de Luz	1
F	Vara	1	P	Pantalla	1
G	Pasador de Horquilla	1	Q	Control Remoto	1
H	Chaveta	1	R	Porta Remoto	1
I	Cubierta	1	S	Receptor	1
J	Tapa de la Cubierta	1	T	Aspa	5

OPCIONES DE MONTAJE

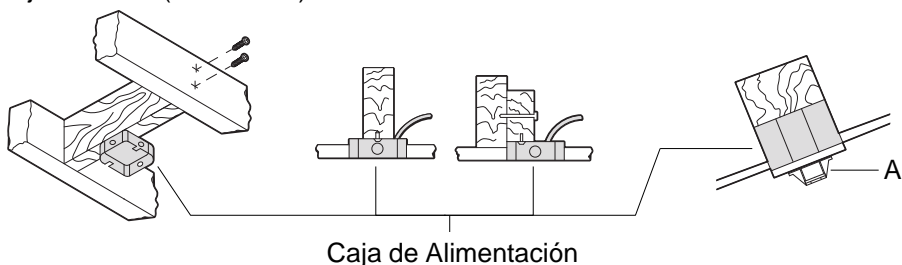
ADVERTENCIA: Para reducir el riesgo de incendio, descarga eléctrica o lesiones personales, monte el ventilador en una caja eléctrica marcada como aceptable para soporte del ventilador utilizando los tornillos proporcionados con la caja eléctrica. Es posible que un tomacorriente comúnmente utilizado para soportar accesorios de iluminación no sea adecuado para soportar ventiladores y deba ser reemplazado. En caso de duda, consulte a un electricista calificado.

NOTA: Es posible que necesite una vara más larga para mantener la distancia adecuada entre las aspas cuando instale en un techo inclinado y empinado. El ángulo máximo permitido es de 13° con respecto a la horizontal. Si la cubierta (I) toca la bola colgante (E) y la vara (F), retire la tapa de la cubierta (J) y gire la cubierta (I) 180° antes de fijar la cubierta (I) al soporte de montaje (A).

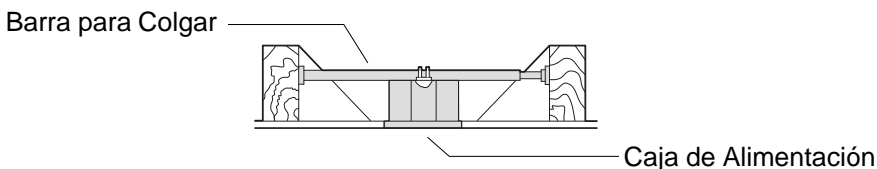
Si su ventilador de techo no tiene una caja de montaje listada por UL, instale una siguiendo las siguientes instrucciones:

- Desconecte la energía quitando el fusible o apagando el disyuntor.
- Asegure la caja eléctrica (no incluida) directamente a la estructura del edificio o casa. Utilice sujetadores y materiales adecuados (no incluidos). La caja eléctrica y su soporte deben poder soportar completamente el peso del ventilador en movimiento (al menos 35 lb). No utilice una caja eléctrica de plástico.

Las siguientes ilustraciones muestran tres formas diferentes de montar la caja eléctrica (no incluida).



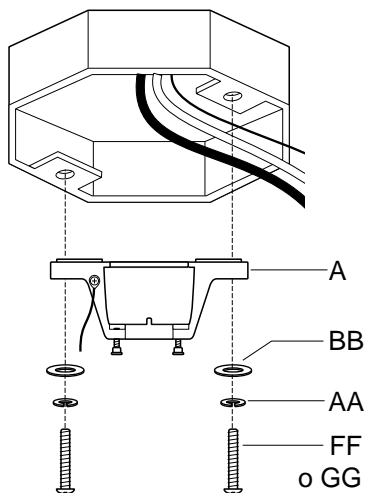
Para colgar su ventilador donde hay un accesorio existente pero no una viga del techo, es posible que necesite una barra para colgar de instalación (no incluida), como se muestra a continuación.



INSTALACIÓN

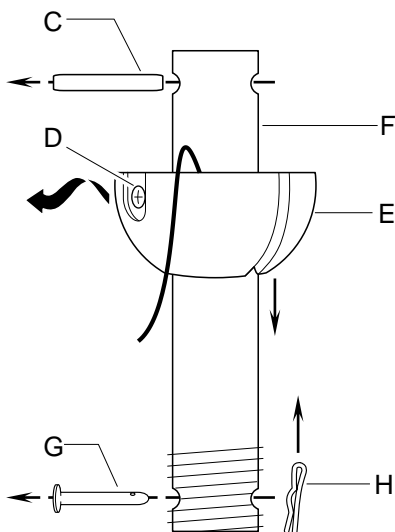
1 FIJE EL SOPORTE DE MONTAJE

- Enrosque una arandela de seguridad (AA) seguida por una arandela plana (BB) en un tornillo de montaje (FF o GG).
- Asegure el soporte de montaje (A) en la caja eléctrica usando los tornillos de montaje (FF o GG) y apriete los tornillos de montaje (FF o GG).



2 PREPARAR LA BOLA COLGANTE Q LA VARA

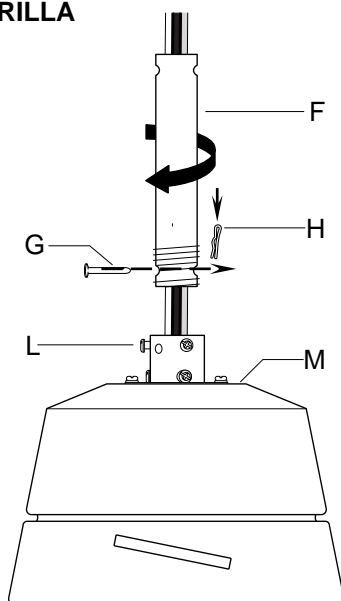
- Retire la chaveta (H) y el pasador de horquilla (G) de la vara (F).
- Afloje el tornillo de la bola (D) de la bola colgante (E).
- Jale la bola colgante (E) hacia abajo y retire el clavo recto (C) de la vara (F).
- Retire la bola colgante (E).



INSTALACIÓN (CONTINUACIÓN)

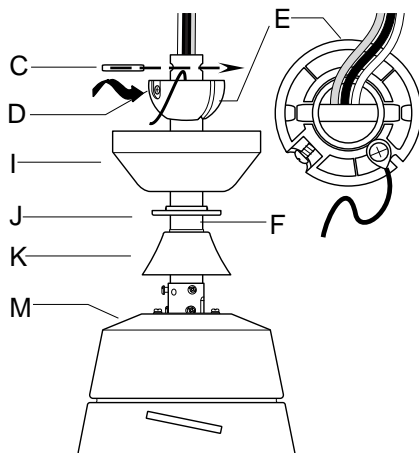
3 ENSAMBLAJE DEL MOTOR II LA VARILLA

- Afloje los tornillos del motor (L) en la parte superior del motor (M).
- Pase los cables del motor (M) a través del centro de la vara (F).
- Gire la vara (F) en el motor (M) hasta que esté apretada y luego desenrosque la vara (F) ligeramente hasta que los agujeros de la vara (F) y los agujeros del motor (M) se alineen.
- Inserte el pasador de horquilla (G) a través de los agujeros del motor (M) y la vara (F), y luego asegúrelo con la chaveta (H).
- Apriete los tornillos del motor (L).



4 ENSAMBLAJE LA PARTE SUPERIOR

- Pase los cables a través de la tapa del motor (K), la tapa de la cubierta (J), la cubierta (I) y la bola colgante (E).
- Empuje la tapa del motor (K) hacia abajo por la vara (F) para cubrir los tornillos en el motor (M).
- Inserte el clavo recto (C) en la parte superior de la vara (F) y empuje la bola colgante (E) hacia arriba para que se trabase con el clavo recto (C).
- Apriete el tornillo de la bola (D) en la bola colgante (E).



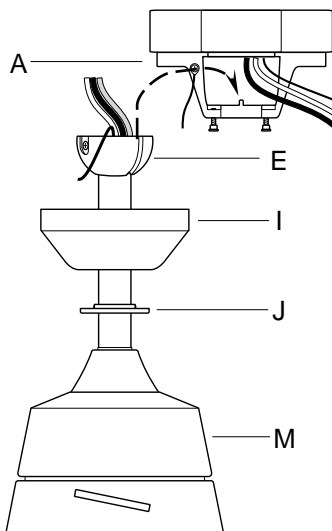
INSTALACIÓN (CONTINUACIÓN)

5 MONTAR EL MOTOR

- Levante la bola colgante (E) hacia arriba y a través de la abertura del soporte de montaje (A), y permita que la bola colgante (E) se asiente en la parte inferior del soporte de montaje (A).

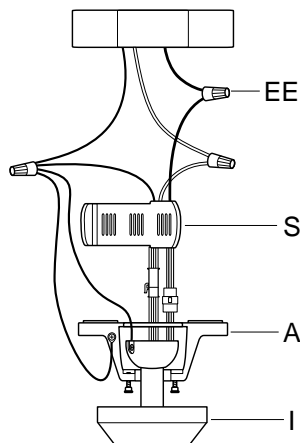
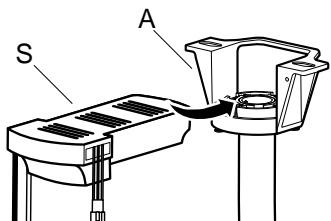
NOTA: El soporte de montaje (A) tiene una guía cerca de la parte inferior que se alinea con la ranura en la bola colgante (E).

- Asegúrese de que la bola colgante (E) encaje en su lugar con la guía del soporte de montaje.(A).



6 CONECTAR LOS CABLES

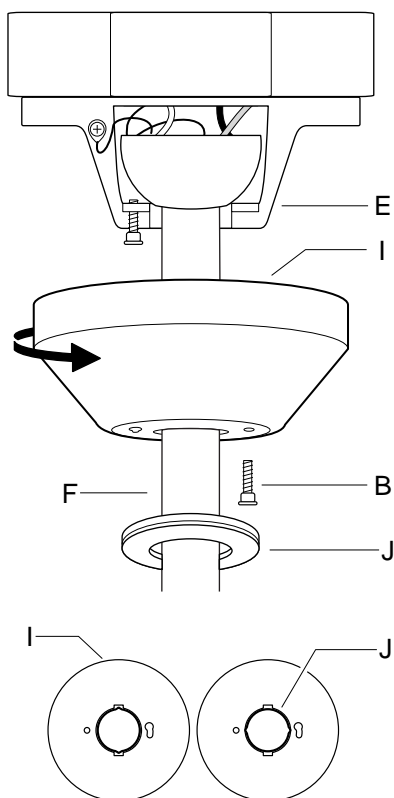
- Asegúrese de que la protuberancia en la parte trasera del soporte de montaje (A) esté alineada con la muesca de la bola colgante (E).
- Inserte el receptor (S) en el soporte de montaje (A).
- Conecte el cable de alimentación de tierra al cable a tierra del soporte de montaje (A), al cable a tierra del receptor (S), y al cable de tierra en la bola colgante (E) usando una tuerca para cables (EE).
- Conecte el cable de alimentación blanco al cable blanco del receptor (S) usando una tuerca para cables (EE). Conecte el cable de alimentación negro al cable negro del receptor (S) usando una tuerca para cables (EE).
- Conecte los conectores macho y hembra juntos.
- Asegure cada unión con cinta adhesiva. Meta las conexiones de los cables en la caja de alimentación.



INSTALACIÓN (CONTINUACIÓN)

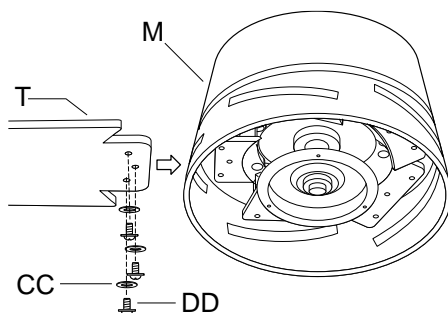
7 ASEGURE LA CUBIERTA

- Retire uno de los tornillos de la cubierta (B) del soporte de montaje (A).
- Alinee el tornillo de la cubierta (B) con la parte ancha de la ranura bocallave en la cubierta (I).
- Gire la cubierta (I) hasta que el tornillo de la cubierta (B) esté en el extremo angosto de la ranura bocallave.
- Pase el otro tornillo de la cubierta (B) a través del agujero.
- Apriete los tornillos de la cubierta (B) hasta que la cubierta (I) esté segura.
- Alinee las proyecciones de la tapa de la cubierta (J) con los recortes en la cubierta (I) y gírelas un cuarto de vuelta para asegurar la tapa de la cubierta (J) en su lugar.



8 MONTE LAS ASPAS

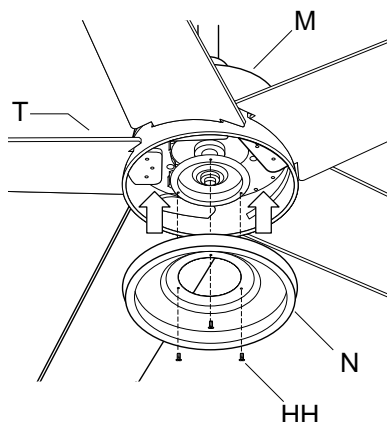
- Fije cada aspa (T) al motor (M) usando una arandela de aspa (CC) y un tornillo de aspa (DD).



INSTALACIÓN (CONTINUACIÓN)

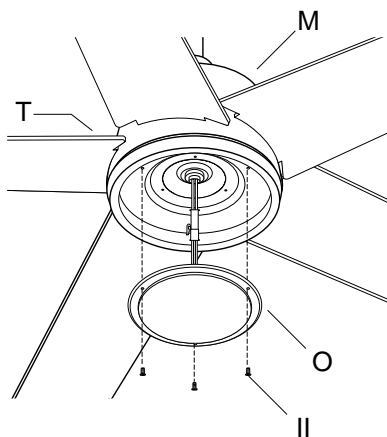
9 ASEGURE EL PLATO

- Retire los tres tornillos para el plato (HH) del centro del motor (M).
- Alinee los agujeros del plato (N) con los agujeros del motor (M).
- Utilice los tornillos para el plato (HH) que quitó anteriormente para fijar el plato (N) al motor (M).



10 ASEGURE EL JUEGO DE LUZ

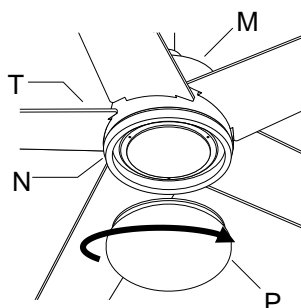
- Retire los tres tornillos para el juego de luz (II) del juego de luz (O).
- Conecte el conector rápido del motor (M) al conector rápido del juego de luz (O).
- Alinee los agujeros del juego de luz (O) con los agujeros de la placa (N).
- Utilice los tornillos para el juego de luz (II) que quitó anteriormente para fijar el juego de luz (O) a la placa (N).



INSTALACIÓN (CONTINUACIÓN)

11 ASEGURE EL JUEGO DE LUZ

- Alinee la pantalla (P) con el plato (N) y gire la pantalla (P) hasta que encaje en su lugar.

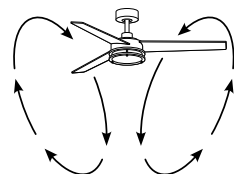


OPERACIÓN

- Presione el botón (↕) en el control remoto para cambiar la dirección del ventilador.

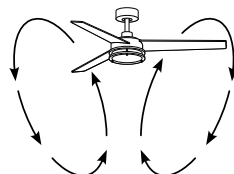
MODO DE VERANO (ADELANTE)

- Un flujo de aire descendente crea un efecto refrescante.



MODO DE INVIERNO (REVERSO)

- Un flujo de aire ascendente expulsa el aire más cálido del área del techo.



OPERACIÓN – DESCARGA DE APLICACIÓN

ANTES DE COMENZAR

- Descarga la aplicación Smart Life desde App Store o Google Play.
- Asegúrese de configurar su teléfono/tableta en una red Wi-Fi de 2,4G.
- Asegúrese de que la aplicación y el dispositivo Smart Life estén dentro de la misma red Wi-Fi.
- Asegúrese de que la aplicación Smart Life tenga permiso de acceso a la ubicación de la red Wi-Fi.
- Asegúrese de que el teléfono/tableta tenga una señal fuerte.










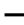


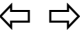
OPERACIÓN – ÓRDENES POR VOZ

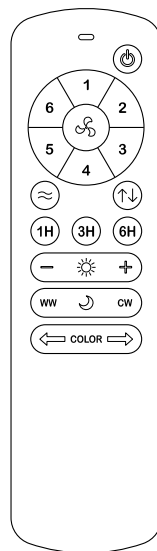
NOTA: Visita designersfountain.com/instruction-manuals/ para ver las instrucciones de configuración de la aplicación. Deberá asignar un nombre a su dispositivo antes de utilizar los órdenes de voz.

NOTA: Los órdenes de voz para trabajar con Alexa y Google. Dependiendo del dispositivo que utilices, debes comenzar un orden con Alexa u Ok Google. Por ejemplo, "Alexa, turn on ASTREA" u "Ok Google, on ASTREA". Recuerda que el nombre del dispositivo debe configurarse dentro de la aplicación.

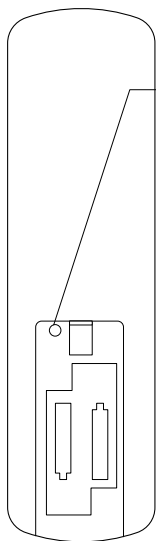
	Alexa...	Ok Google...
Prender / Apagar el Ventilador	turn on <device name>	
	turn off <nombre del dispositivo>	
Velocidad del Ventilador	set/change the <nombre del dispositivo> speed to #	
	set /change the speed on the <nombre del dispositivo> to (1-6)	
	set/change <nombre del dispositivo> to fast	
	set/change <nombre del dispositivo> to medium	
	set/change <nombre del dispositivo> to slow	
Dirección del Ventilador	change <nombre del dispositivo> to downward	
	change <nombre del dispositivo> to upward	
Prender / Apagar la Luz	turn on <nombre del dispositivo>	
	turn off <nombre del dispositivo>	
Cambio de CCT Ligero	set/change <nombre del dispositivo> to warm white	
	set/change <nombre del dispositivo> to soft white	
	set/change <nombre del dispositivo> to daylight	
	set/change <nombre del dispositivo> to cool white	
	set/change <nombre del dispositivo> to bright white	
Cambio de Color de Luz	set/change <nombre del dispositivo> to green	
	set/change <nombre del dispositivo> to red	
	set/change <nombre del dispositivo> to blue	
	set/change <nombre del dispositivo> to orange	
	set/change <nombre del dispositivo> to yellow	
Brillo de la Luz	set/change the <nombre del dispositivo> brightness to #%	
	set/change the <nombre del dispositivo> to #% brightness	
	brighten the <nombre del dispositivo>	
	dim the <nombre del dispositivo>	

OPERACIÓN – CONTROL REMOTO

Icono	Función
	Encendido/apagado: presione y suelte el botón de encendido para encender o apagar el ventilador y la luz.
	Presione y suelte el botón para apagar el ventilador.
	Presione y suelte el botón para encender el ventilador a baja velocidad.
	Presione y suelte el botón para encender el ventilador a alta velocidad.
	Presione y suelte el botón, el ventilador cambia automáticamente entre velocidad media y baja. Presione los otros botones de viento para salir de la función.
1H 3H 6H	Presione y suelte el botón, el ventilador ingresará a la función de temporizador, presione otros botones para salir de la función.
	Cambia la dirección en la que gira el ventilador.
	Luz encendida/apagada Presione y suelte el botón para encender o apagar la luz. ***Apague el dispositivo y luego vuelva a encenderlo. Dentro de 10 segundos, presione y mantenga presionado el botón de luz durante 5 s, la luz parpadeará durante 18 s e ingresará al modo de emparejamiento de la aplicación durante 180 s. Durante este tiempo, el control remoto no tiene forma de controlar el ventilador ni la luz; más de 180 s o un emparejamiento exitoso, el control remoto funcionará correctamente.
	Atenué el brillo.
	Suba el brillo.
	Presione y suelte el botón para encender la luz en modo de luz nocturna.
WW	Haga clic o mantenga presionado para bajar el CCT, el mínimo es 2200K.
CW	Haga clic o mantenga presionado para subir el CCT, el máximo es 6500K
	Utilice los botones izquierda/derecha para desplazarse por las escenas, como Navidad, Halloween, Día de la Independencia, etc.
COLOR	Haga clic en el botón COLOR, la luz puede ingresar a rojo, naranja, amarillo, verde, azul, púrpura, luz cálida, luz diurna, luz fría.



OPERACIÓN – CONTROL REMOTO (CONTINUACIÓN)



Conexión del ventilador y el control remoto. Haga clic en el botón de aprendizaje durante 1 segundo dentro de los 10 segundos posteriores al encendido, el timbre sonará una vez y la luz parpadeará dos veces.

Nota: Si el control remoto y el ventilador están unidos, mantenga presionado el botón de aprendizaje durante 3 segundos dentro de los 10 segundos posteriores al encendido para desvincularlos. Antes de usar, debe realizar la operación de encuadración nuevamente.

CUIDADO Y LIMPIEZA

- Revise las conexiones de soporte, los soportes y los accesorios de las cuchillas dos veces al año. Asegúrese de que estén seguros. Algunas conexiones pueden aflojarse con el tiempo debido al movimiento natural del ventilador. No es necesario quitar el ventilador del techo.
- Limpia tu ventilador periódicamente. Utilice únicamente un cepillo suave o un paño sin pelusa para evitar rayar el acabado. El revestimiento está sellado con una laca para minimizar la decoloración o el deslustre.
- No utilice agua al limpiar. El agua podría dañar el motor o la madera, o posiblemente provocar una descarga eléctrica.
- No aplique aceite a su ventilador o motor. El motor tiene rodamientos de bolas sellados permanentemente lubricados.

SOLUCIÓN DE PROBLEMAS

Problema	Solución
El ventilador no arranca	<ul style="list-style-type: none"> <input type="checkbox"/> Revise el disyuntor o los fusibles. <input type="checkbox"/> Revise las conexiones de los cables de línea al ventilador y los cables de conexiones del interruptor en el alojamiento.
El ventilador suena ruidoso	<ul style="list-style-type: none"> <input type="checkbox"/> Asegúrese de que todos los tornillos del alojamiento del motor estén ajustados. <input type="checkbox"/> Asegúrese de que los tornillos que sujetan las aspas del ventilador al motor estén apretados. <input type="checkbox"/> Asegúrese de que las conexiones de las tuercas para cables no golpeen entre sí ni contra la pared interior del alojamiento del interruptor. <input type="checkbox"/> Permita un período de “asentamiento” de 24 horas. La mayoría de los ruidos asociados con un ventilador nuevo desaparecen durante este tiempo. <input type="checkbox"/> Si utiliza el kit de iluminación de techo, asegúrese de que la pantalla de vidrio esté bien asegurada. <input type="checkbox"/> Asegúrese de que haya una distancia corta desde el techo hasta el dosel. No debe tocar el techo. <input type="checkbox"/> Asegúrese de que su caja de techo esté segura y de que se utilicen gomas aislantes entre el soporte de montaje y la caja eléctrica.
El ventilador se tambalea	<ul style="list-style-type: none"> <input type="checkbox"/> Verifique que todas las aspas y los tornillos de brazo estén asegurados (la mayoría de los problemas de oscilación del ventilador se deben a piezas sueltas). Una vez que el ventilador esté instalado correctamente, haga funcionar el ventilador de techo durante 10 minutos para permitir que se autoajuste.
Error de emparejamiento de la aplicación	<ul style="list-style-type: none"> <input type="checkbox"/> Verifica su red, este dispositivo requiere un canal Wi-Fi de 2,4 GHz.
El control remoto no funciona	<ul style="list-style-type: none"> <input type="checkbox"/> Asegúrese de que el control remoto y el ventilador estén unidos. <input type="checkbox"/> Asegúrese de que el ventilador no esté en modo de emparejamiento, durante el proceso de emparejamiento, el control remoto no tiene forma de controlar el ventilador, solo después de un emparejamiento exitoso, o más de 180S El control remoto puede funcionar normalmente